








Geberit AquaClean



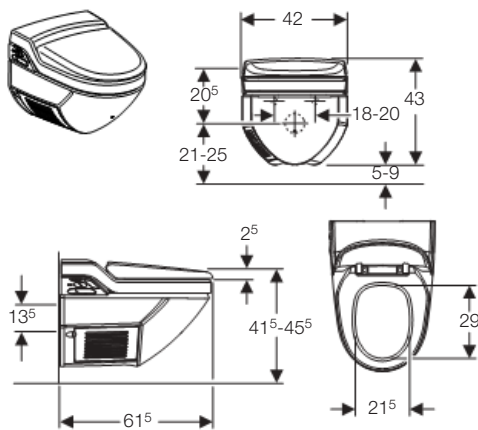
		Description		
Overview		<ul style="list-style-type: none"> System overview AquaClean 	→ Page 58	
AquaClean complete solution	for concealed cisterns	<ul style="list-style-type: none"> AquaClean 8000<i>plus</i> AquaClean 8000 	→ Page 59 → Page 60	
	with exposed cistern	wall-hung	<ul style="list-style-type: none"> AquaClean 8000<i>plus</i> 	→ Page 61
		floor-standing	<ul style="list-style-type: none"> AquaClean 8000<i>plus</i> 	→ Page 62
	AquaClean enhancement solution		<ul style="list-style-type: none"> AquaClean 5000<i>plus</i> AquaClean 5000 AquaClean 4000 	→ Page 63 → Page 64 → Page 65
AquaClean travel solution		<ul style="list-style-type: none"> AquaClean Piccolo 	→ Page 66	
Accessories			<ul style="list-style-type: none"> for AquaClean products for AquaClean 8000<i>plus</i> for AquaClean 5000 and 5000<i>plus</i> 	→ Page 66 → Page 66 → Page 67

System overview AquaClean

Model	Article no.	Bidet function with warm water	Adjustable water spray strength	Soft lid and seat closing	Oscillating spray	Air purification	Warm air dryer	Remote control	Ceramics included	Colours
 AquaClean 4000	146.130.11.1	✓	✓	✓	—	—	—	—	—	white alpine
 AquaClean 5000	146.120.10.1 146.120.11.1 146.120.CG.1 146.120.EP.1	✓	✓	✓	✓	✓	—	—	—	bahama beige white alpine manhattan pergamon
 AquaClean 5000plus	146.110.10.1 146.110.11.1 146.110.CG.1 146.110.EP.1	✓	✓	✓	✓	✓	✓	✓	—	bahama beige white alpine manhattan pergamon
 AquaClean 8000	146.182.11.1	✓	✓	✓	✓	—	—	—	✓	white alpine
 AquaClean 8000plus	180.100.10.1 180.100.11.1 180.100.CG.1 180.100.EP.1	✓	✓	✓	✓	✓	✓	✓	✓	bahama beige white alpine manhattan pergamon
 AquaClean 8000plus, wall-hung	186.100.10.1 186.100.11.1 186.100.CG.1 186.100.EP.1	✓	✓	✓	✓	✓	✓	✓	✓	bahama beige white alpine manhattan pergamon
 AquaClean 8000plus, floor-standing	185.100.10.1 185.100.11.1 185.100.CG.1 185.100.EP.1	✓	✓	✓	✓	✓	✓	✓	✓	bahama beige white alpine manhattan pergamon

AquaClean, complete solution for concealed cisterns, wall-hung

AquaClean 8000plus



Application Purpose

- For convenient and odourless toilet use
- For gentle cleaning of the anal and vaginal areas with water

Characteristics

- Surface-coated ceramic appliance
- WC seat and lid with lowering function
- Infrared user detection
- Odour extraction unit can be connected via active carbon filter
- Spray arm with extendable nozzles for anal and vaginal area
- Shower arm position can be set to 7 positions
- Oscillating spray (automatic forwards and reverse motion of the spray arm can be adjusted)
- Pulsating massage spray can be connected
- Spray intensity adjustable in 7 levels
- Automatic pre-rinsing of spray nozzle with fresh water and post-rinsing with Geberit Jetclean 8000 nozzle cleaner
- Integrated hot water tank
- Adjustable storage water heater operating mode (ON/OFF/economy mode)
- Temperature of shower water can be adjusted
- Shower spray gradually cools down continuously during shower procedure
- Warm air dryer can be added
- Dryer arm can be extended
- Temperature of warm air dryer can be adjusted
- 4 user profiles can be programmed
- Water supply connection on the left side
- Functions and settings via remote control

Product Details

Load WC seat / WC lid max.	150 kg
Air volume flow rate dryer	12 m ³ /h
Flow rate anal shower	2,1 - 5,5 l/min
Flow rate lady shower	1,4 - 3,0 l/min
Spray time, factory setting	20 s
Number of shower pressure settings	7
Boiler capacity	1.8 l
Cable length	70 cm
Mains frequency	50 - 60 Hz
Power input	1000 W
Power input standby / with boiler heating	1 / 9 W
Protection class	I
Protection degree	IP x4
Nominal voltage	230 V AC

Air volume flow rate suction	10 m ³ /h
Pressure range	1 - 10 bar
Dryer temperature, factory setting	45 °C
Air temperature range	20 - 45 °C
Temperature range during operation	6 - 45 °C
Temperature range during storage	-10 - +60 °C
Water temperature, factory setting	37 °C
Water temperature range	10 - 39 °C

Scope Of Delivery

- Remote control with LC display, wall bracket and batteries, LR03 (AAA)
- Cover plate for remote control compartment
- Activated carbon filter
- Nozzle cleaning agent Jetclean 8000
- Water supply connection set for UP300 / UP320 concealed cistern
- Dryer fan with housing
- Acoustical insulation set
- Fastening material
- Spray shield

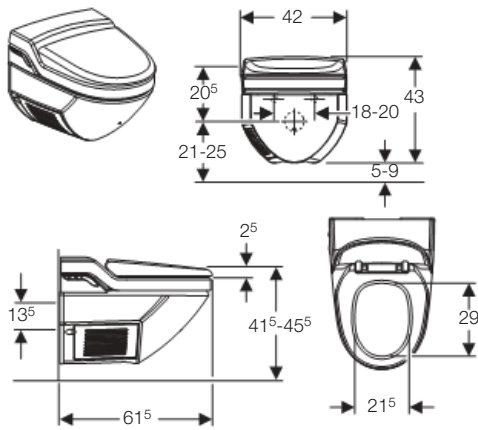
Ordering Information

Article no.	Colour
180.100.10.1	bahama beige
180.100.11.1	white alpine
180.100.CG.1	manhattan
180.100.EP.1	pergamon

Using the supplied standard connecting material, all concealed cisterns (except for UP200) can be connected with the prepared conduit pipe. The UP200 concealed cistern additionally requires the reinforced braided hose with T-piece (art. no. 240.839.00.1) to be ordered.



AquaClean 8000



Application Purpose

- For convenient toilet use
- For gentle cleaning of the anal area with water

Characteristics

- Surface-coated ceramic appliance
- Infrared user detection
- WC seat and lid with lowering function
- Spray arm with extendable nozzle for anal area
- Integrated hot water tank
- Adjustable storage water heater operating mode (ON/OFF/economy mode)
- Oscillating spray (automatic forwards and reverse motion of the spray arm)
- Spray intensity adjustable in 7 levels
- Automatic pre- and post-rinsing of the spray nozzle with fresh water
- Shower spray gradually cools down continuously during shower procedure
- Most recently used settings are stored automatically
- Water supply connection on the left side

Product Details

Load WC seat / WC lid max.	150 kg
Flow rate anal shower	2,1 - 5,5 l/min
Spray time, factory setting	20 s
Number of shower pressure settings	7
Boiler capacity	1.8 l
Cable length	70 cm
Mains frequency	50 - 60 Hz
Power input	1000 W
Power input standby / with boiler heating	1 / 9 W
Protection class	I
Protection degree	IP x4
Nominal voltage	230 V AC
Net weight	27,5 kg
Pressure range	1 - 10 bar
Temperature range during storage	-10 - +60 °C
Water temperature, factory setting	37 °C

Scope Of Delivery

- Water supply connection set for UP300 / UP320 concealed cistern
- Acoustical insulation set
- Fastening material
- Spray shield

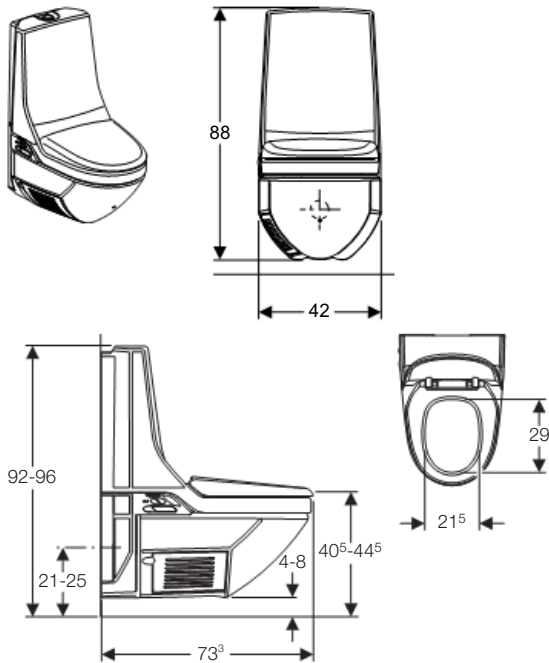
Ordering Information

Article no.	Colour
146.182.11.1	white alpine

Using the supplied standard connecting material, all concealed cisterns (except for UP200) can be connected with the prepared conduit pipe. The UP200 concealed cistern additionally requires the reinforced braided hose with T-piece (art. no. 240.839.00.1) to be ordered.

AquaClean, complete solution with exposed cistern

AquaClean 8000plus, wall-hung



Application Purpose

- For convenient and odourless toilet use
- For gentle cleaning of the anal and vaginal areas with water

Characteristics

- Surface-coated ceramic appliance
- Closed-coupled cistern
- Infrared user detection
- Odour extraction unit can be connected via active carbon filter
- Spray arm with extendable nozzles for anal and vaginal area
- Shower arm position can be set to 7 positions
- Oscillating spray (automatic forwards and reverse motion of the spray arm can be adjusted)
- Pulsating massage spray can be connected
- Spray intensity adjustable in 7 levels
- Automatic pre-rinsing of spray nozzle with fresh water and post-rinsing with Geberit Jetclean 8000 nozzle cleaner
- Integrated hot water tank
- Adjustable storage water heater operating mode (ON/OFF/economy mode)
- Temperature of shower water can be adjusted
- Shower spray gradually cools down continuously during shower procedure
- Warm air dryer can be added
- Dryer arm can be extended
- Temperature of warm air dryer can be adjusted
- 3 programmable user profiles
- Functions and settings via remote control
- WC flushing with remote control
- WC seat and lid with lowering function

Product Details

Load WC seat / WC lid max.	150 kg
Air volume flow rate dryer	12 m ³ /h
Flow rate anal shower	2,1 - 5,5 l/min
Flow rate lady shower	1,4 - 3,0 l/min
Spray time, factory setting	20 s
Number of shower pressure settings	7

Boiler capacity	1.8 l
Cable length	70 cm
Mains frequency	50 - 60 Hz
Power input	1000 W
Power input standby / with boiler heating	1 / 9 W
Protection class	I
Protection degree	IP x4
Nominal voltage	230 V AC
Air volume flow rate suction	10 m ³ /h
Pressure range	1 - 10 bar
Dryer temperature, factory setting	45 °C
Air temperature range	20 - 45 °C
Temperature range during operation	6 - 45 °C
Temperature range during storage	-10 - +60 °C
Water temperature, factory setting	37 °C
Water temperature range	Mains water temp. °C - 39
Factory setting	6 and 3 l

Scope Of Delivery

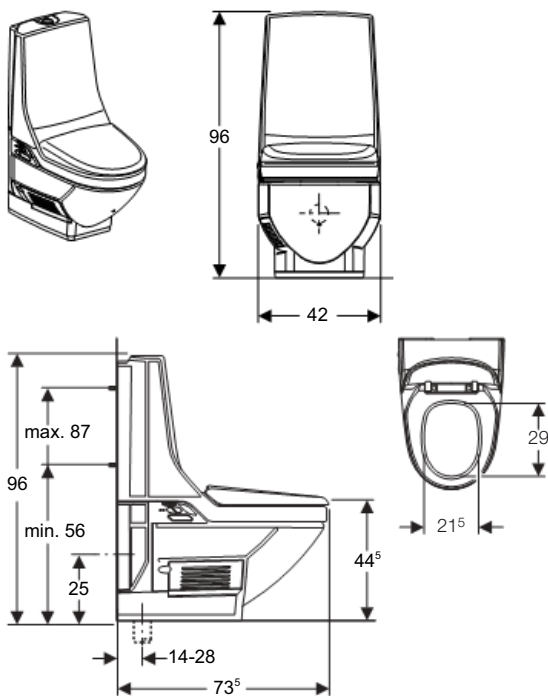
- Remote control with LC display, wall bracket and batteries, LR03 (AAA)
- Cover plate for remote control compartment
- Activated carbon filter
- Nozzle cleaning agent Jetclean 8000
- Water supply connection set with angle stop valve, reinforced braided hose and screw connection
- Drainage connection set, dia. 90 mm
- Dryer fan with housing
- Fastening material
- Spray shield

Ordering Information

Article no.	Colour
186.100.10.1	bahama beige
186.100.11.1	white alpine
186.100.CG.1	manhattan
186.100.EP.1	pergamon



AquaClean 8000*plus*, floor-standing



Application Purpose

- For convenient and odourless toilet use
- For gentle cleaning of the anal and vaginal areas with water

Characteristics

- Surface-coated ceramic appliance
- Closed-coupled cistern
- Infrared user detection
- Odour extraction unit can be connected via active carbon filter
- Spray arm with extendable nozzles for anal and vaginal area
- Shower arm position can be set to 7 positions
- Oscillating spray (automatic forwards and reverse motion of the spray arm can be adjusted)
- Pulsating massage spray can be connected
- Spray intensity adjustable in 7 levels
- Automatic pre-rinsing of spray nozzle with fresh water and post-rinsing with Geberit Jetclean 8000 nozzle cleaner
- Integrated hot water tank
- Adjustable storage water heater operating mode (ON/OFF/economy mode)
- Temperature of shower water can be adjusted
- Shower spray gradually cools down continuously during shower procedure
- Warm air dryer can be added
- Dryer arm can be extended
- Temperature of warm air dryer can be adjusted
- 3 programmable user profiles
- Functions and settings via remote control
- WC flushing with remote control
- Adjustable WC seat from 40.5 - 52.5 cm (2 cm steps)
- WC seat and lid with lowering function

Product Details

Load WC seat / WC lid max.	150 kg
Air volume flow rate dryer	12 m ³ /h
Flow rate anal shower	2,1 - 5,5 l/min
Flow rate lady shower	1,4 - 3,0 l/min
Spray time, factory setting	20 s
Number of shower pressure settings	7
Boiler capacity	1.8 l

Cable length	70 cm
Mains frequency	50 - 60 Hz
Power input	1000 W
Power input standby / with boiler heating	1 / 9 W
Protection class	I
Protection degree	IP x4
Nominal voltage	230 V AC
Air volume flow rate suction	10 m ³ /h
Pressure range	1 - 10 bar
Dryer temperature, factory setting	45 °C
Air temperature range	20 - 45 °C
Temperature range during operation	6 - 45 °C
Temperature range during storage	-10 - +60 °C
Water temperature, factory setting	37 °C
Water temperature range	10 - 39 °C
Factory setting	6 and 3 l

Scope Of Delivery

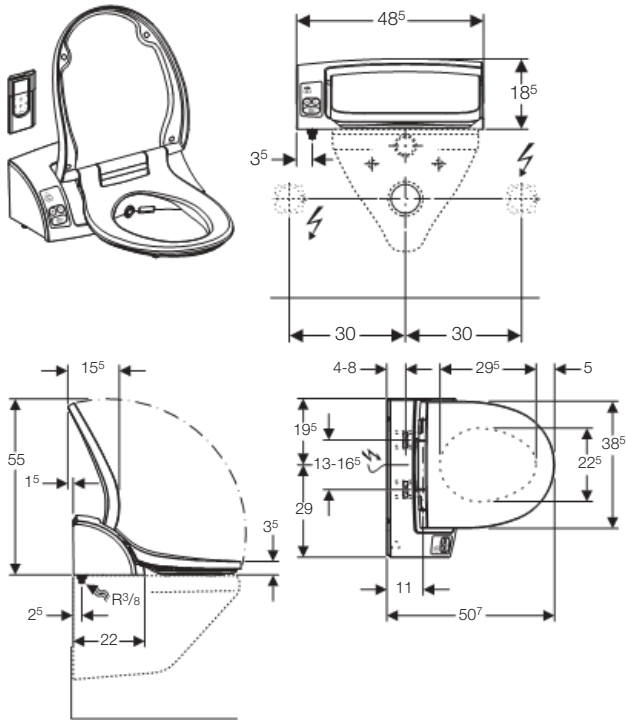
- Remote control with LC display, wall bracket and batteries, LR03 (AAA)
- Cover plate for remote control compartment
- Activated carbon filter
- Nozzle cleaning agent Jetclean 8000
- Water supply connection set
- Drainage connection set, dia. 90 mm incl. adapter sleeve, dia. 90 / 100 mm
- Dryer fan with housing
- Fastening material
- Spray shield

Ordering Information

Article no.	Colour
185.100.10.1	bahama beige
185.100.11.1	white alpine
185.100.CG.1	manhattan
185.100.EP.1	pergamon

AquaClean enhancement solution

AquaClean 5000plus



Application Purpose

- For subsequent mounting on a WC ceramic appliance (replaces WC seat and lid)
- For gentle cleaning of the anal and vaginal areas with water
- For convenient and odourless toilet use

Characteristics

- Automatic pre and post rinsing of the spray nozzle with fresh water
- Integrated hot water tank
- Water supply connection on the left side
- WC seat and lid with lowering function
- Infrared user detection
- Odour extraction unit can be connected via active carbon filter
- Spray arm with extendable nozzles for anal and vaginal area
- Shower arm position can be set to 7 positions
- Oscillating spray (automatic forwards and reverse motion of the spray arm can be adjusted)
- Pulsating massage spray can be connected
- Spray intensity adjustable in 7 levels
- Adjustable storage water heater operating mode (ON/OFF/economy mode)
- Temperature of shower water can be adjusted
- Shower spray gradually cools down continuously during shower procedure
- Warm air dryer can be added
- Temperature of warm air dryer can be adjusted
- Most recently used settings are stored automatically
- Mains connection at rear with hidden pipe-laying option to the left or right
- Mains connection cable can be cut to length
- Functions and settings via remote control

Product Details

Load WC seat / WC lid max.	150 kg
Air volume flow rate dryer	9,1 m ³ /h
Flow rate anal shower	1,7 - 3,0 l/min
Flow rate lady shower	0,6 - 2,0 l/min

Spray time, factory setting	20 s
Number of shower pressure settings	7
Boiler capacity	1,65 l
Cable length	2 m
Mains frequency	50 - 60 Hz
Power input	850 W
Power input standby / with boiler heating	0.9 / 6.7 W
Protection class	I
Protection degree	IP x4
Nominal voltage	230 V AC
Air volume flow rate suction	4,4 m ³ /h
Net weight	6,3 kg
Pressure range	1 - 10 bar
Dryer temperature, factory setting	45 °C
Air temperature range	20 - 45 °C
Temperature range during operation	6 - 45 °C
Temperature range during storage	-10 - +60 °C
Water temperature, factory setting	37 °C
Water temperature range	10 - 39 °C

Scope Of Delivery

- Remote control with LC display, wall bracket and batteries, LR03 (AAA)
- Activated carbon filter
- Water supply connection set for left side connection
- Spray nozzle (spare part)
- Fastening material
- Compensation pad for toilet seat / appliance
- Spray shield

Ordering Information

Article no.	Colour
146.110.10.1	bahama beige
146.110.11.1	white alpine
146.110.CG.1	manhattan
146.110.EP.1	pergamon

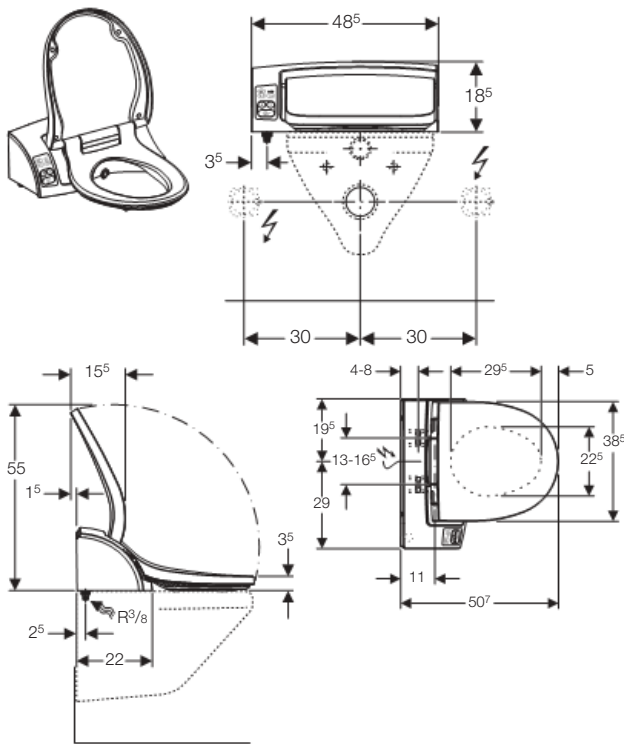
Using the standard connecting materials supplied, all concealed cisterns (except for UP200) can be connected with the prepared conduit pipe.

The following must also be ordered in the case of the UP200 concealed cistern:

- Article no. 240.634.00.1 for UP200 concealed cistern H82
- Article no. 240.635.00.1 for UP200 concealed cistern H98



AquaClean 5000



Application Purpose

- For subsequent mounting on a WC ceramic appliance (replaces WC seat and lid)
- For gentle cleaning of the anal area with water
- For convenient and odourless toilet use

Characteristics

- Automatic pre and post rinsing of the spray nozzle with fresh water
- Integrated hot water tank
- Water supply connection on the left side
- WC seat and lid with lowering function
- Infrared user detection
- Odour extraction unit can be connected via active carbon filter
- Spray arm with extendable nozzle for anal area
- Oscillating spray (automatic forwards and reverse motion of the spray arm can be adjusted)
- Spray intensity adjustable in 7 levels
- Adjustable storage water heater operating mode (ON/OFF/economy mode)
- Shower spray gradually cools down continuously during shower procedure
- Most recently used settings are stored automatically
- Mains connection at rear with hidden pipe-laying option to the left or right
- Mains connection cable can be cut to length

Product Details

Load WC seat / WC lid max.	150 kg
Flow rate anal shower	1,7 - 3,0 l/min
Spray time, factory setting	20 s
Number of shower pressure settings	7
Boiler capacity	1,65 l
Cable length	2 m
Mains frequency	50 - 60 Hz
Power input	850 W
Power input standby / with boiler heating	0.9 / 6.7 W
Protection class	I
Protection degree	IP x4

Nominal voltage	230 V AC
Air volume flow rate suction	4,4 m³/h
Net weight	6.1 kg
Pressure range	1 - 10 bar
Temperature range during operation	6 - 45 °C
Temperature range during storage	-10 - +60 °C
Water temperature, factory setting	37 °C

Scope Of Delivery

- Activated carbon filter
- Water supply connection set for left side connection
- Spray nozzle (spare part)
- Fastening material
- Compensation pad for toilet seat / appliance
- Spray shield

Ordering Information

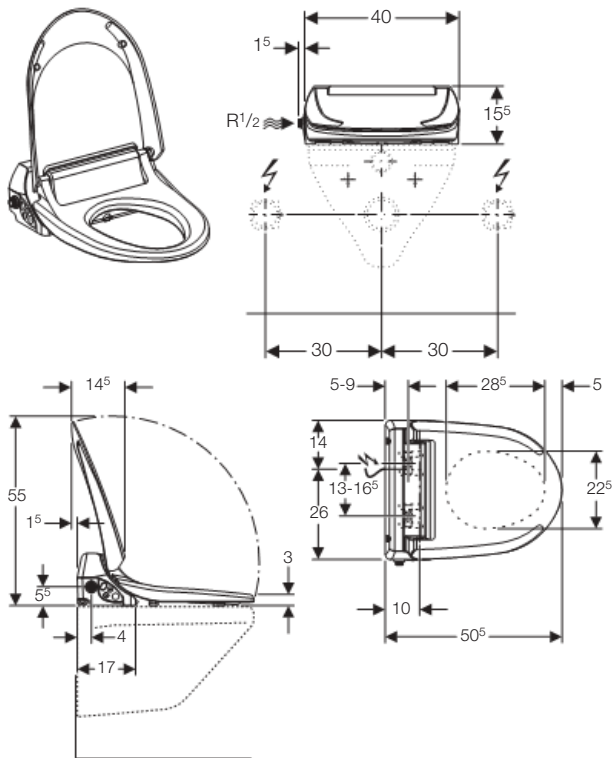
Article no.	Colour
146.120.10.1	bahama beige
146.120.11.1	white alpine
146.120.CG.1	manhattan
146.120.EP.1	pergamon

Using the standard connecting materials supplied, all concealed cisterns (except for UP200) can be connected with the prepared conduit pipe.

The following must also be ordered in the case of the UP200 concealed cistern:

- Article no. 240.634.00.1 for UP200 concealed cistern H82
- Article no. 240.635.00.1 for UP200 concealed cistern H98

AquaClean 4000



Application Purpose

- For subsequent mounting on a WC ceramic appliance (replaces WC seat and lid)
- For gentle cleaning of the anal area with water
- For convenient toilet use

Characteristics

- Automatic pre and post rinsing of the spray nozzle with fresh water
- Integrated hot water tank
- Water supply connection on the left side
- WC seat and lid with lowering function
- Spray arm with extendable nozzle for anal area
- Spray intensity adjustable in 5 levels
- Shower spray gradually cools down continuously during shower procedure
- Operating mode of storage water heater adjustable (ON / OFF)
- Most recently used settings are stored automatically
- Mains connection at rear with hidden pipe-laying option to the left or right

Product Details

Load WC seat / WC lid max.	150 kg
Flow rate anal shower	0.9 - 1.6 l/min
Spray time, factory setting	20 s
Number of shower pressure settings	5
Boiler capacity	0.9 l
Cable length	2 m
Mains frequency	50 - 60 Hz
Power input	800 W
Power input standby / with boiler heating	0.9 / 5.8 W
Protection class	I
Protection degree	IP x4
Nominal voltage	230 V AC
Net weight	4.1 kg
Pressure range	0.5 - 10 bar
Temperature range during operation	6 - 45 °C

Temperature range during storage	-10 - +60 °C
Water temperature, factory setting	37 °C

Scope Of Delivery

- Water supply connection set for left side connection
- Fastening material
- Compensation pad for toilet seat / appliance
- Spray shield

Ordering Information

Article no.	Colour
-------------	--------

146.130.11.1	white alpine
--------------	--------------

Using the standard connecting materials supplied, all concealed cisterns (except for UP200) can be connected with the prepared conduit pipe.

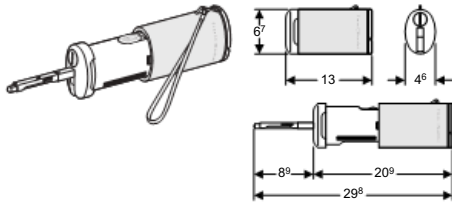
The following must also be ordered in the case of the UP200 concealed cistern:

- Article no. 240.634.00.1 for UP200 concealed cistern H82
- Article no. 240.635.00.1 for UP200 concealed cistern H98



AquaClean travel solution

AquaClean Piccolo



Application Purpose

- For gentle cleaning of the anal area with water
- For cleaning the anal area

Characteristics

- Portable perineal shower

Product Details

Tank capacity	400 ml
---------------	--------

Scope Of Delivery

- Bag
- Battery LR6 (AA)

Ordering Information

Article no.	Description
148.050.00.1	AquaClean Piccolo

Accessories for AquaClean products

Empty pipe for water supply



Application Purpose

- To connect an AquaClean to a concealed cistern
- For UP300 and UP320 concealed cistern

Ordering Information

Article no.	Description
242.010.00.1	Empty pipe for AquaClean water supply for later installation

Accessories for AquaClean 8000plus

Cleaner JETCLEAN 8000



Application Purpose

- For disinfecting the spray nozzles

Characteristics

- To prevent the growth of bacteria
- For approx. 750 uses (400 ml)

Ordering Information

Article no.	Description
250.028.00.1	Cleaner for nozzle JETCLEAN for AquaClean 8000plus

Water supply connection set, conventional



Application Purpose

- For use with AquaClean 8000plus
- For conventional water supply connection

Scope Of Delivery

- Metal-reinforced hose R 1/2" x 3/8"
- Angle stop valve R 1/2"
- Connection material

Ordering Information

Article no.	Description
250.036.00.1	Water supply connection set, conventional for AquaClean 8000 and 8000plus

Water supply connection UP200 concealed cistern, for AquaClean 8000, AquaClean 8000plus



Application Purpose

- For UP200 concealed cistern with top/front actuation
- For connecting AquaClean

Ordering Information

Article no.	Description
240.839.00.1	Water supply connection UP200 concealed cistern, for AquaClean 8000, AquaClean 8000plus

Water supply connection UP720 concealed cistern, for Geberit AquaClean new



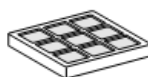
Application Purpose

- For use with concealed cistern UP720 with front actuation
- For connecting AquaClean

Ordering Information

Article no.	Description
242.413.00.1	Water supply connection UP720 concealed cistern, for AquaClean 8000, AquaClean 8000plus

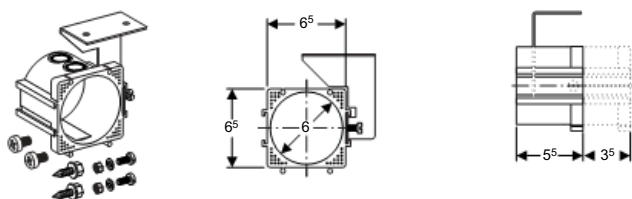
Carbon filter



Ordering Information

Article no.	Description
250.022.00.1	Carbon filter for AquaClean 8000plus

Installation set for electrical connection



Application Purpose

- For positioning the electrical connection to the installation elements for a wall-hung WC

Characteristics

- Adjustable depth

Scope Of Delivery

- Flush-mounted feeder box
- Fastening material

Ordering Information

Article no.	Description
242.001.00.1	Installation set for electrical connection

Accessories for AquaClean 5000, 5000plus and AquaClean 4000

Connection set rear centre



Application Purpose

- To connect an AquaClean module to a surface-mounted cistern with water supply connection at the rear centre

Scope Of Delivery

- 2 metal-reinforced hoses R 3/8"
- Connection bend dia. 5.6 mm
- Connection material

Ordering Information

Article no.	Description
115.438.00.1	Connection set rear centre for AquaClean 4000

Water supply connection set on UP320 for AquaClean enhancement solution



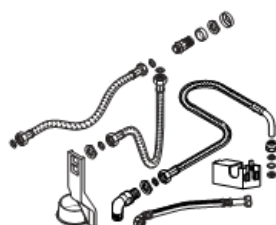
Application Purpose

- To connect an AquaClean module to a concealed cistern

Ordering Information

Article no.	Description
249.801.00.1	Connection set Kombifix/GIS for AquaClean 4000

Water supply connection set for exposed cistern at the right, AquaClean enhancement solution



Application Purpose

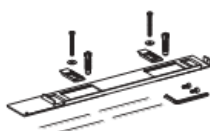
- To connect an AquaClean module to a surface-mounted cistern with water supply connection on the right

Ordering Information

Article no.	Description
240.396.00.1	Connection set from right for AquaClean 4000



Adapter plate complete



Application Purpose

- For AquaClean 5000 and 5000plus

Ordering Information

Article no.	Description
240.495.00.1	Adapter plate compl. AquaClean 5000 and 5000plus

Connection elbow 3/8" with screw joint



Application Purpose

- For AquaClean 5000 and 5000plus

Ordering Information

Article no.	Description
241.586.00.1	Connection elbow 3/8" with screw joint

Connection set UP200 H82, for AquaClean enhancement solution



Application Purpose

- To connect an AquaClean module to a concealed cistern
- For UP200 concealed cistern with top/front actuation
- For installation elements with construction height 82 cm

Ordering Information

Article no.	Description
240.634.00.1	Connection set UP200 H82

Water supply connection set UP200 H98, for AquaClean enhancement solution



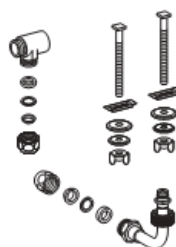
Application Purpose

- To connect an AquaClean module to a concealed cistern
- For UP200 concealed cistern with top/front actuation
- For installation elements with construction height 98 cm

Ordering Information

Article no.	Description
240.635.00.1	Connection set UP200 H98

Water supply connection set, standard



Application Purpose

- For use with AquaClean 5000
- For use with AquaClean 5000plus

Ordering Information

Article no.	Description
242.185.00.1	Water supply connection set, standard

Active carbon filter, for AquaClean 5000 and 5000plus



Application Purpose

- For AquaClean 5000 and 5000plus

Ordering Information

Article no.	Description
240.116.00.1	Active Carbon Filter for AquaClean 5000 and 5000plus, Set of 2 pcs